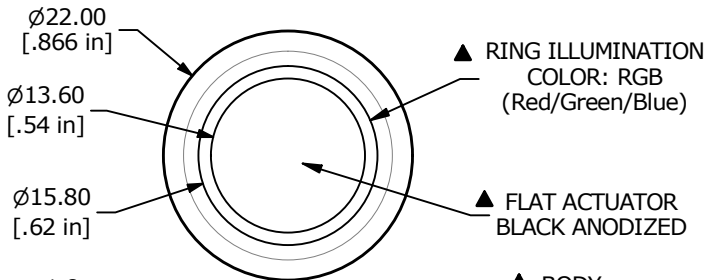


PANEL CUTOUT
 MAX. PANEL THICKNESS
 11.0mm [.43]



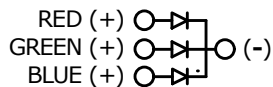
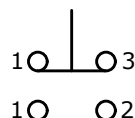
▲ RING ILLUMINATION
 COLOR: RGB
 (Red/Green/Blue)

▲ FLAT ACTUATOR
 BLACK ANODIZED

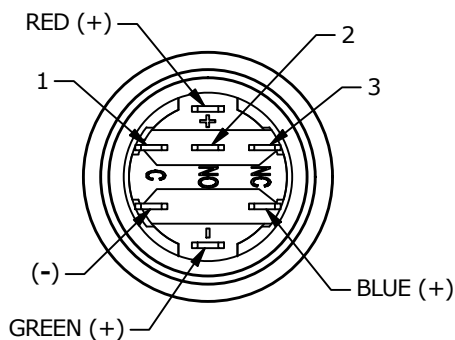
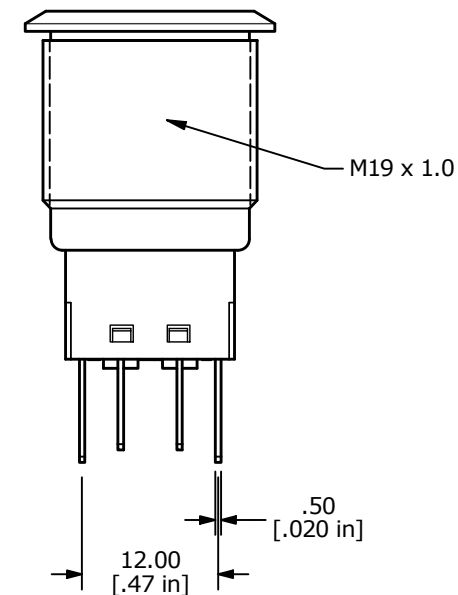
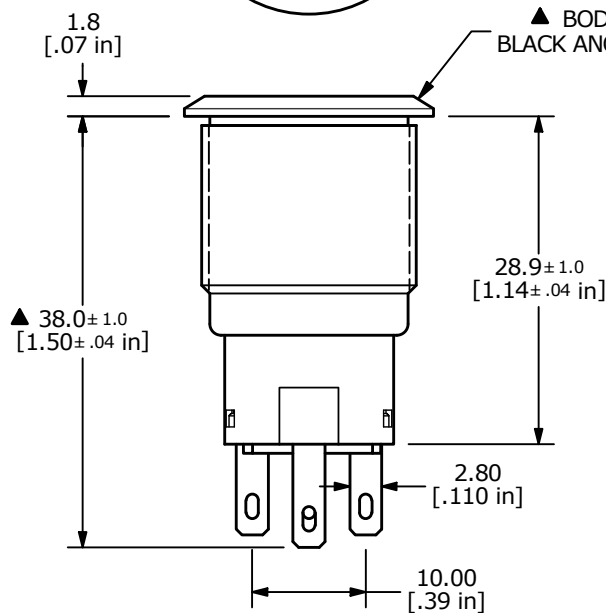
▲ BODY
 BLACK ANODIZED



SWITCH FUNCTION	
POS. 1	POS. 2
ON	ON
1-3	1-2



▲ SPDT ON-ON
 CONTACT CONFIGURATION



- NOTE:
- ALL DIMENSIONS IN mm [INCH]
 - GENERAL TOLERANCE: X.X = ±0.4
 X.XX = ±0.25
 - TERMINAL NUMBERS FOR REF ONLY
 - CONTACT MATERIAL: SILVER
 - RATING: 2A 24VDC
 - ELECTRIC LIFE: 50,000 MAKE-AND-BREAK CYCLES AT FULL LOAD.
 - INSULATION RESISTANCE: 1,000 MΩ MIN.
 - DIELECTRIC STRENGTH: 2,000 VAC MIN. FOR 1 MINUTE
 - CONTACT RESISTANCE: 50mΩ MAX. @ 1A 12VDC
 - OPERATING TEMP.: -25°C to 55°C
 - TRAVEL: 2.8mm
 - ▲ DENOTES CRITICAL PARAMETER
 - INGRESS PROTECTION: IP67
 - HARDWARE SUPPLIED: O-RING AND HEXNUT
 - LAMP VOLTAGE: RED - 1.8V, GREEN - 2.8V, BLUE - 2.8V



A	24425	RELEASE	7/31/20	MW
REV	PCR NO	DESCRIPTION	DATE	BY

TITLE	PV4F23011-3R1			
SCALE	3:2	DATE	7/31/2020	DR
			MW	DWG
				52-PV4F230113R1
				REV
				A

THE INFORMATION CONTAINED IN THIS DOCUMENT IS PROPRIETARY TO E-SWITCH AND IS NOT TO BE COPIED OR TRANSFERRED